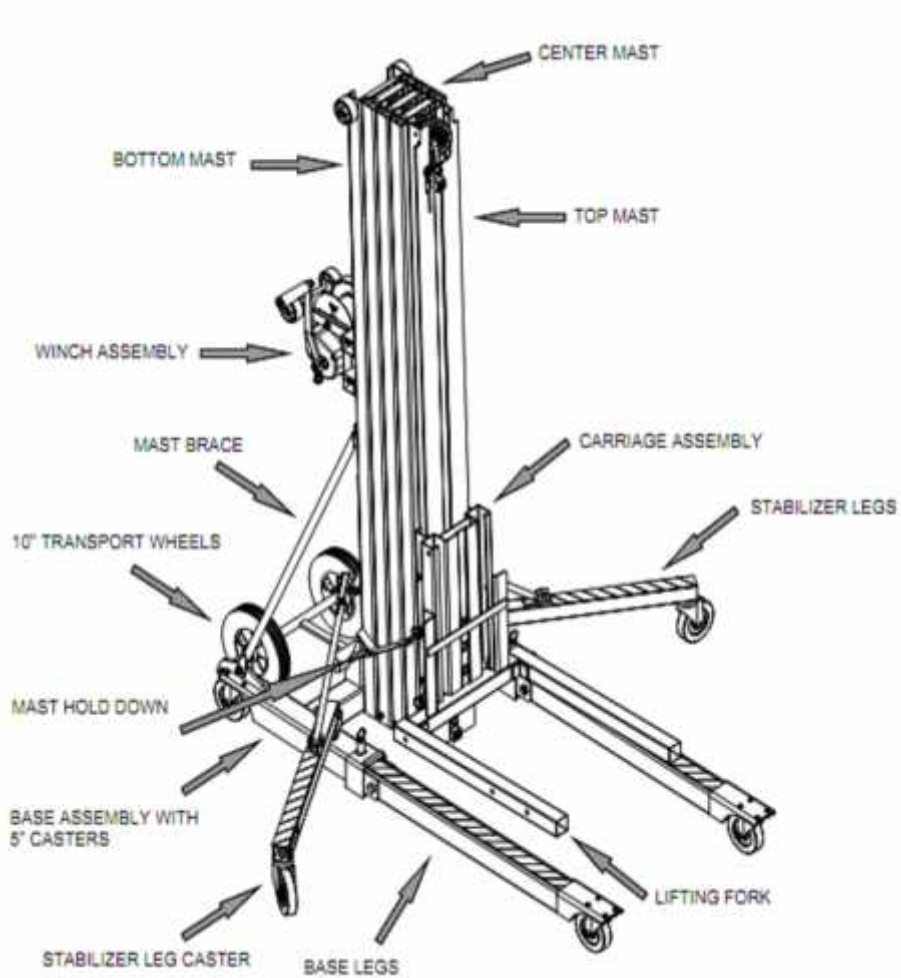


## Sumner Lift



## **OPERATOR SAFETY INSTRUCTIONS**

### **Do not misuse the unit**

Perform only the functions for which the unit is designed. Never attempt to operate the equipment at more than the recommended capacity. **Never use units in tandem to lift a load which exceeds the capacity of a single lift.** Secure load to prevent it from shifting on forks, and tie down loads before lifting. Lock caster brakes when leaving unit unattended. Keep load at lowest possible position at all times.

### **Work Area Hazards**

1. Never operate during high wind conditions. Lifting bulky loads during high winds can result in the lift tipping over and the possibility of operator injury.
2. Operate only on level surfaces. Use the unit on smooth and level surfaces to avoid unit tipping over and the possibility of operator injury.
3. Always watch for and avoid overhead wires and obstructions when using the unit or moving unit to and from the job site.
4. Keep work area clean. Always keep work area clear of clutter for unobstructed movement of the unit. Never leave elevated load unattended.
5. Do not use unit to support ladders, for climbing, hoisting or people moving.
6. Do not use unit outside in thunder, lightning, or severe weather.
7. When a unit has an elevated load, it can be transported on the unit's 5" casters only. Do not operate from an unstable platform such as the bed of a truck.